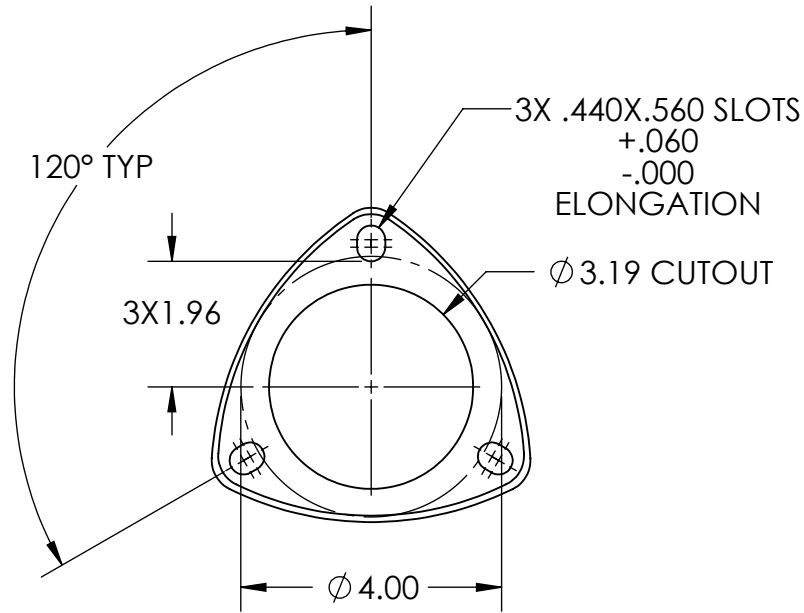
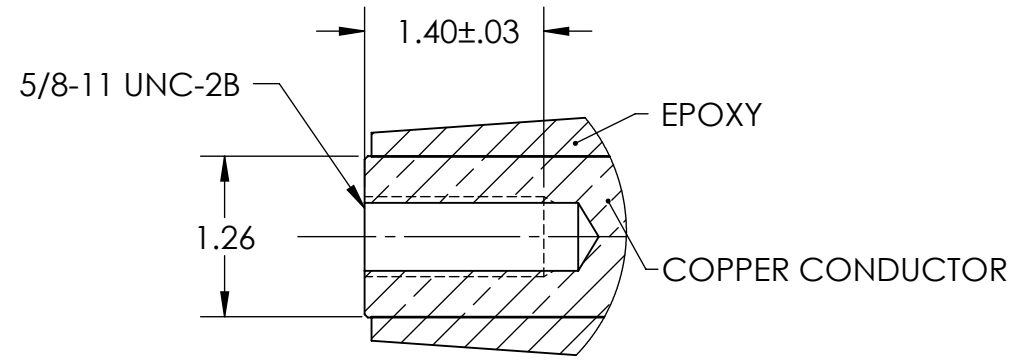
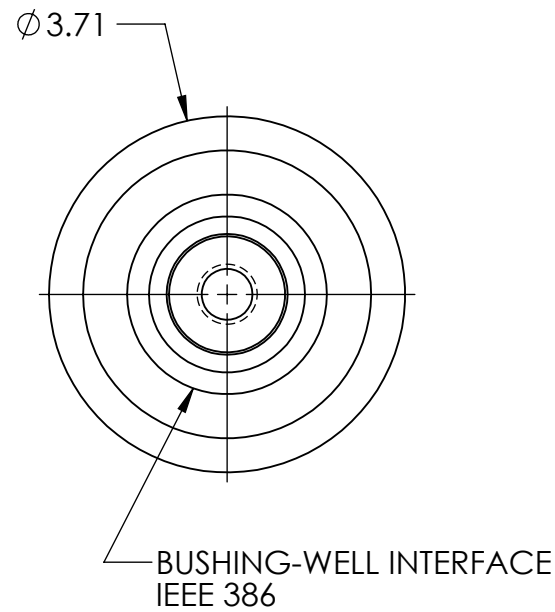


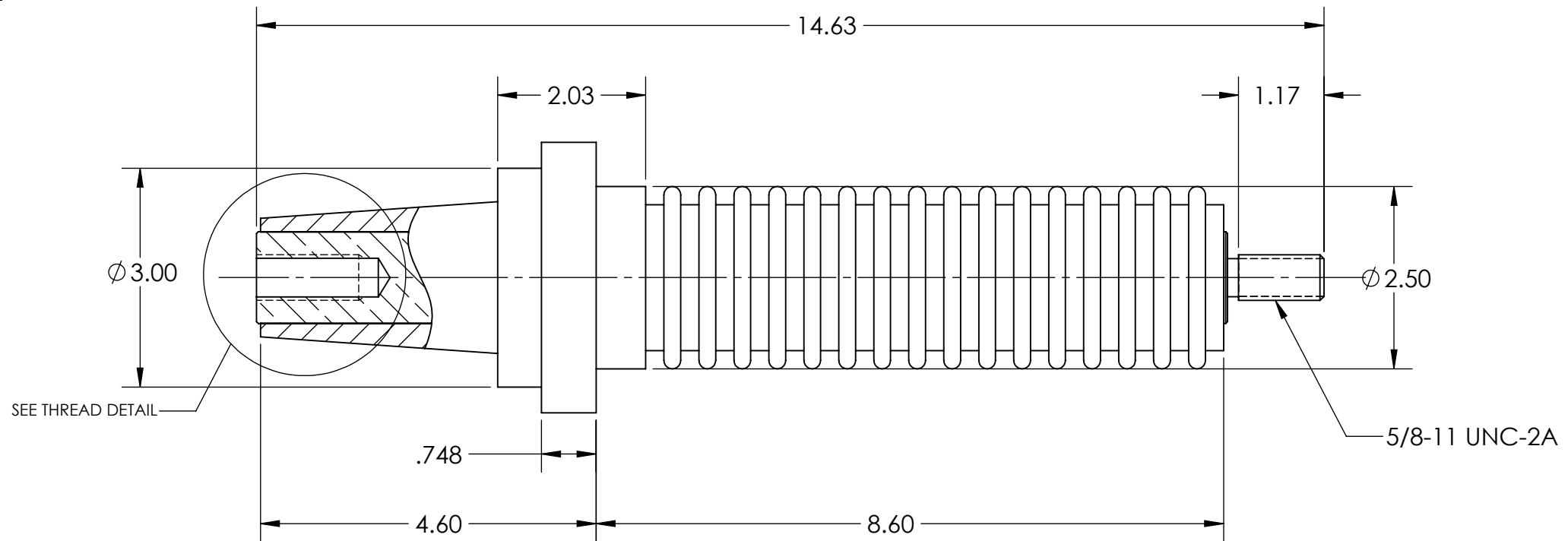
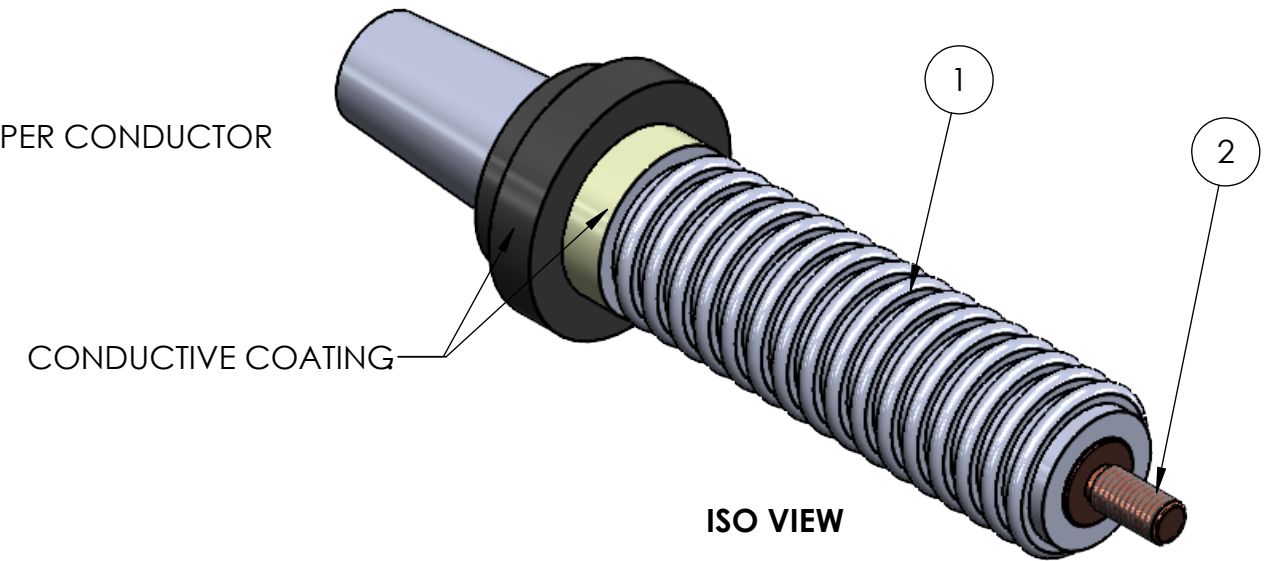
ITEM NO.	PART NUMBER	DESCRIPTION	QTY.
1	90-412	OUTDOOR EPOXY	1
2	CU-439	COPPER CONDUCTOR	1



MOUNTING PLATE (MP-133)



THREAD DETAIL



SPECIFICATIONS

CURRENT RATE	600A
VOLTAGE CLASS	25KV
B.I.L.	125KV
TANK OPENING	3.06" MIN
LEAKAGE DISTANCE	19.04"
GASKET	AC86-223
MOUNTING PLATE	MP-133

CURRENT CAPACITY (RMS)		MOMENTARY WITHSTAND	
CONTINUOUS (AMPS)	8 HRS OVERLOAD (AMPS)	10 CYCLES (AMPS)	3 SECONDS (AMPS)
600 A	900 A	25000 A	10000 A

UNLESS OTHERWISE SPECIFIED:
DIMENSIONS ARE IN INCHES
TOLERANCES:
ANGULAR: ±0.5°
TWO PLACE DECIMAL ±0.05
THREE PLACE DECIMAL ±0.005
THIRD ANGLE PROJECTION

PROPRIETARY TECHNICAL INFORMATION TO BE MAINTAINED IN CONFIDENCE AND NOT DISCLOSED TO ANY THIRD PARTY.

CROSSLINK TECHNOLOGY INC.

TITLE: **600 AMPS UNIVERSAL AIR BUSHING**

SIZE **B** DWG. NO. **90-412** REV **1**

SCALE: 1:3 SHEET 1 OF 1